



**SAVE UP TO 20% ON HVAC ENERGY COSTS  
BY AIR SEALING & INSULATING YOUR HOME.<sup>1</sup>**

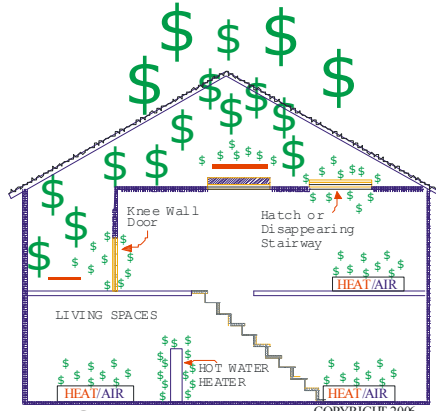
Start your air sealing project by insulating your whole house fan, knee wall doors, attic access hatch, and/or disappearing stairway.

**Start Saving Today on Your Electric and Gas Bills!!!**

## Seal A Hatch™

**Model ES-SAH-2436** Cut to Fit Openings from 23.75 inches wide to 35.75 inches long  
**Attic Access Hatch Cover**

ARE YOU WASTING MONEY?



### Quick Installation

**Attractive Smooth White Surface on Living Space Bottom Side  
Silver Radiant Barrier Insulation Material Attic Side**

**Advanced Magnetic Attachment System (Superior Air Seal)**

**Smooth White Surface Fiberglass Reinforced Panel Composite  
1/2 "Fire Resistant Gypsum Board (10-15 Min. Fire Resistant Rating)  
1" High Density Extruded Foam**

**R Value of Panel R 5.5**

**Effective R-Value 13 With Radiant Barrier Insulation 97% Radiant Heat Reflective**

**Vapor Barrier (Prevent Moisture Infiltration to Attic Which May Create Ice Dams)  
Virtually Eliminates Drafty Attic Access Openings**

**Kit includes: Installation Instructions**

**23.75 inch X 35.75 inch Replacement Panel**

**2 Foot X 3 foot Radiant Barrier Insulation Material**

**10 Feet Magnetic Seal (2 rolls)**

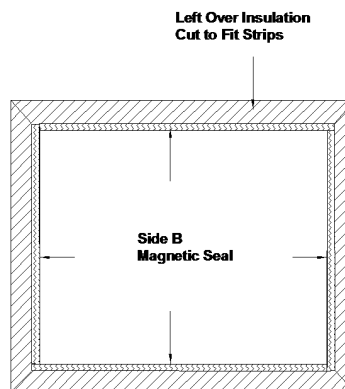
<sup>1</sup>[http://www.energystar.gov/index.cfm?c=home\\_sealing.hm\\_improvement\\_sealing](http://www.energystar.gov/index.cfm?c=home_sealing.hm_improvement_sealing)

## Seal A Hatch Installation Instructions

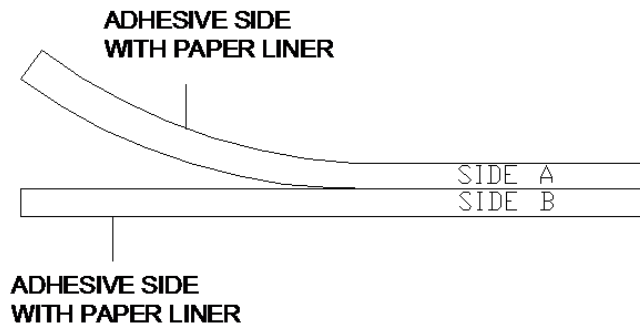
Check the package to make sure you have all parts before proceeding with the installation. The kit contains:

- 23.75 inch X 35.75 inch insulation panel
- 2 foot by 3 foot piece of radiant barrier material
- 10 feet of Brown magnetic seal (Side A)
- 10 feet of Brown magnetic seal with groove in middle Side B)

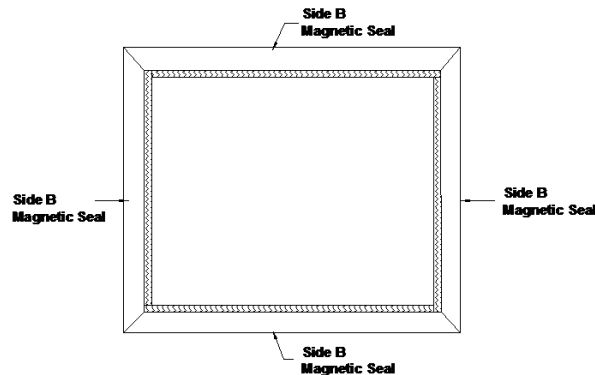
1. First, clean the trim around the hatch opening on the attic side to remove any dust or other residue, which would prevent the magnetic strip adhesive from sticking to the wood trim.
2. Remove the existing attic access panel and measure the panel. Use a skill saw (Use a blade manufactured for cutting paneling or gypsum board) to cut the new insulation panel to match the existing panel size. Apply caulking to the blue side of the insulation panel approximately ½ inch from the edges and apply a bead of caulking in an X shape between the beads of caulking you applied to the outside edges.
3. Apply the radiant barrier material to the blue side of the foam and press firmly to bond the two pieces together.
4. Trim any excess material from the sides of the unit using scissors or a razor knife. **NOTE: You may use the excess material to apply to the trim of the attic access opening around the magnetic sealing strip to help insulate areas that are not covered by the hatch cover.** For example, refer to the figure below.



5. Turn the panel over and make sure the white side is clean and free of dust.
6. Unroll the magnetic seal. Join sides A and B (Grooved Side) and ensure the paper backing is facing the outside.



- Remove the paper backing from side A and apply the strips that you cut onto the insulation panel (White Side) around the edges with side A and B still joined together. **DO NOT REMOVE THE PAPER BACKING FROM SIDE B YET.** Apply pressure to the strips to ensure a good bond to the insulation panel.



- After applying the magnetic sealing system, lift the panel into the opening and position the panel where it normally rests on the trim. Now lift the panel up with your hand placed in the center of the panel and remove the paper backing from side B of the magnetic seal.
- Center the hatch panel in the scuttle hole opening and lower the panel carefully keeping it aligned in the opening. Let the panel rest on the magnetic strip for several minutes to get a good bond between the insulation panel and magnetic strip attached to the opening trim.
- Lift the panel carefully ensuring the magnetic strip side B remains attached to the opening trim and use your hand to press on the magnetic strip to ensure a good bond. **NOTE: the acrylic adhesive bond becomes stronger over time and is 100% fully bonded after 24 hours.**
- Replace the panel in the opening. The insulated panel may be cleaned with water using a mild household detergent if needed during use.